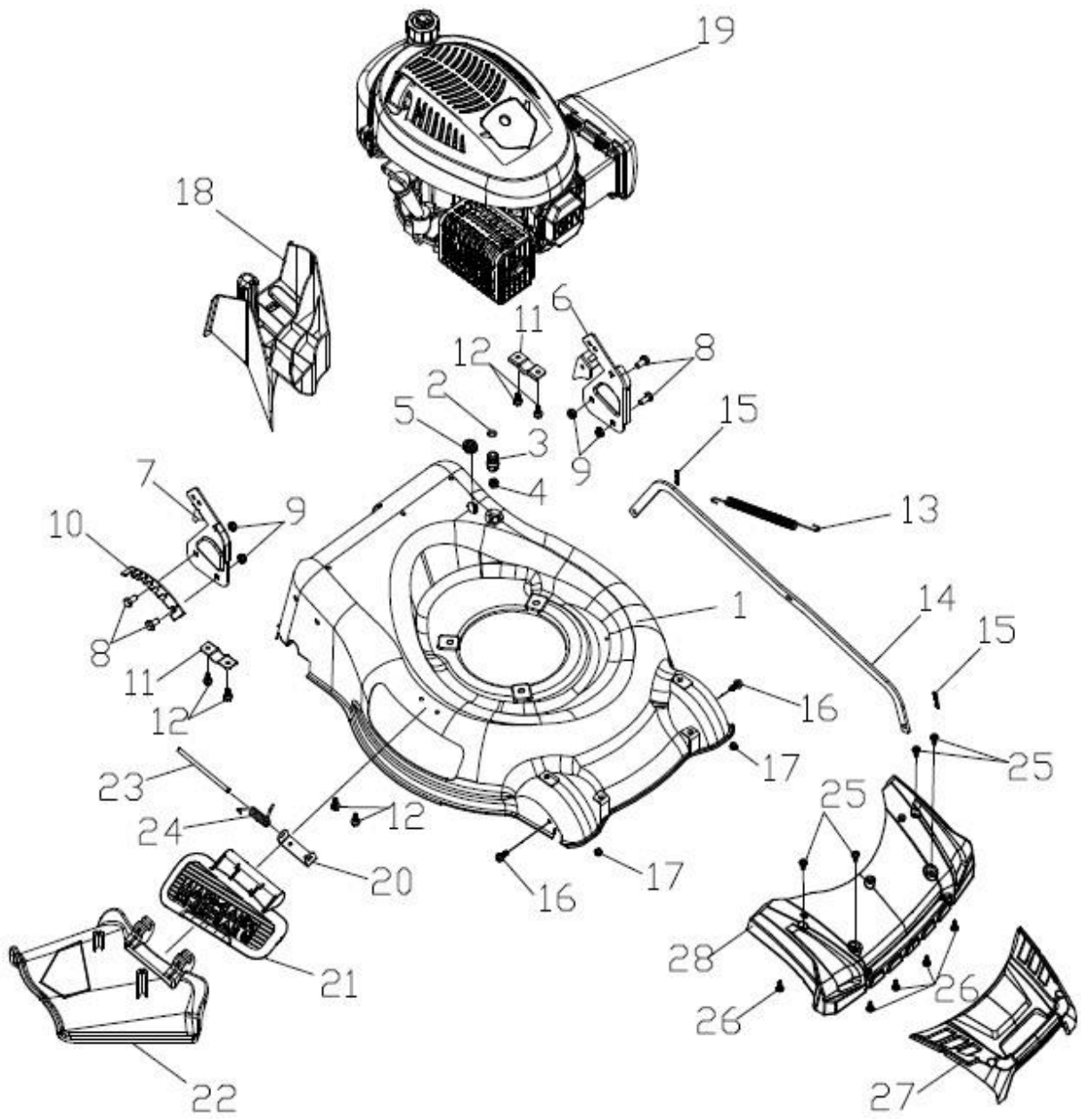
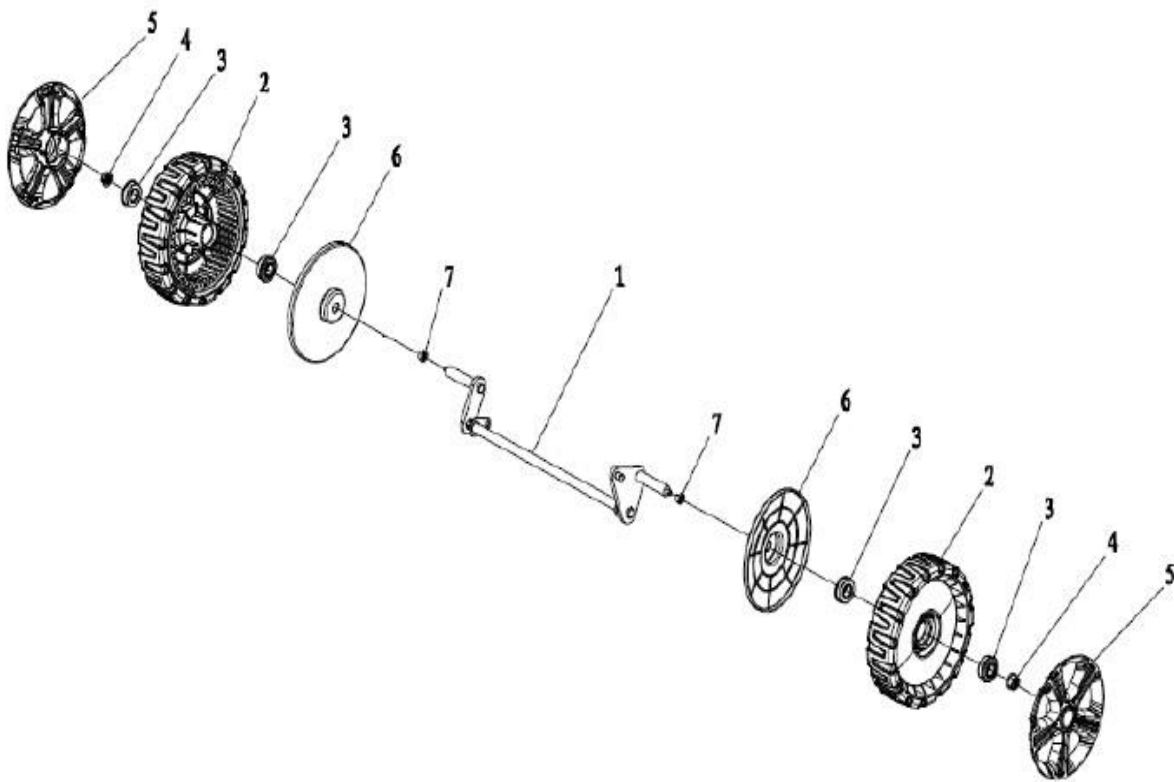


Pol.č.	Item description		13	quick fix knob
1	foam pipe		14	Pin
2	stop lever		15	Quick Fix Handle
3	Self-propelled Lever		16	lock for fast fix handle
4	upper handrail		17	flat washer
5	Rope Guide		18	lock nut
6	Cap nut		19	Hexagon nut
7	Brake Cable Assy plate		20	lower handrail
8	Bolt		21	fastener
9	Self-locking nut		22	Hexagon head bolts
10	Plastic stopper		23	Half round head square
11	brake cable		24	neck boltsbolts Hex lock nut
12	selfpropelled cable		25	triangle knob



Pol.č.	Item description	
1	deck welding assy.	
2	"O" ring	
3	inlet	
4	Pipe connector nut	
5	cable stopper	
6	left handle bracket	
7	left handle bracket	
8	Hexagon head bolts	
9	Hex lock nut	
10	height adjustment board	
11	rear drive bracket	
12	Hex tapping screws	
13	Pull Spring for Pull Rod	

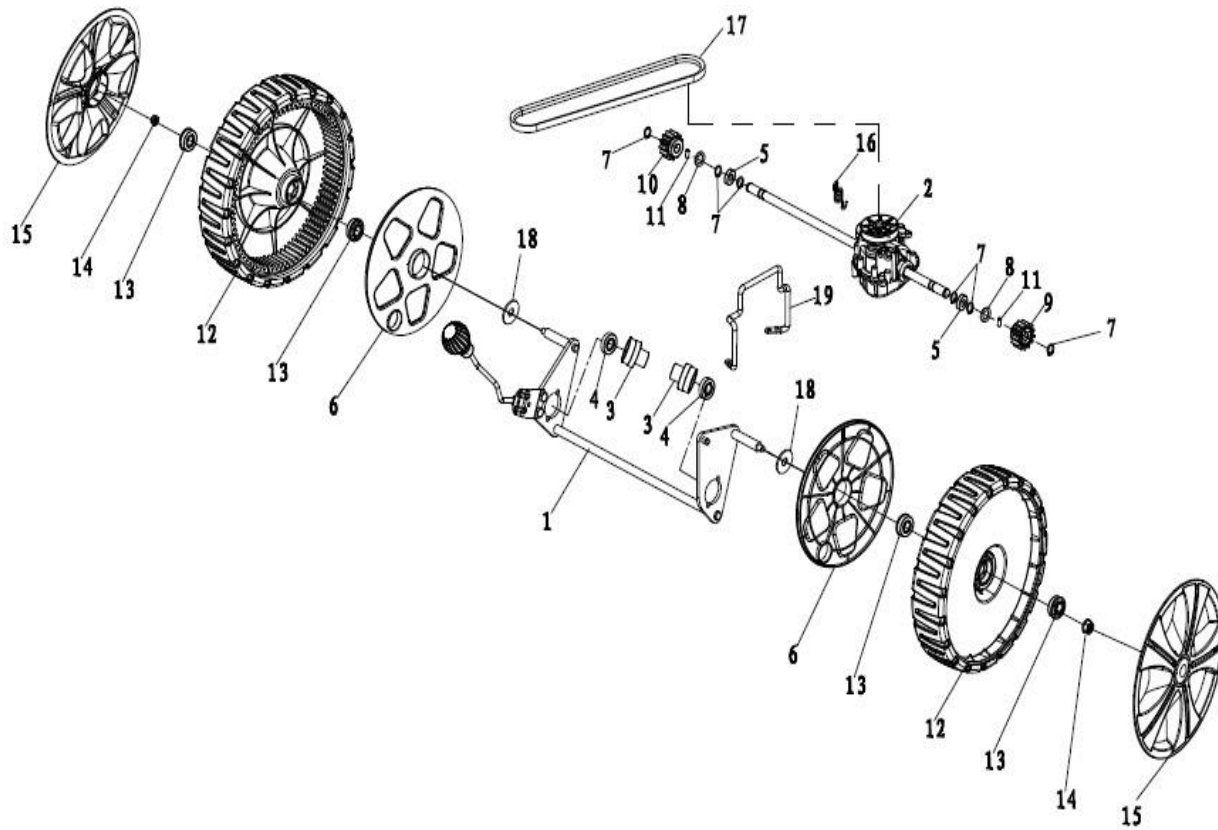
14	Height Adjustment Pull Rod	
15	R type pin	
16	Bolt	
17	Self-locking nut	
18	mulching plug	
19	petrol engine	
20	Bracket plate for defelctor	
21	mulching board	
22	side discharge cover	
23	Mulch Shaft	
24	mulch board spring	
25	Phillips flat head self tapping screw	
26	tapping screw	
27	front mask	
28	front mask	



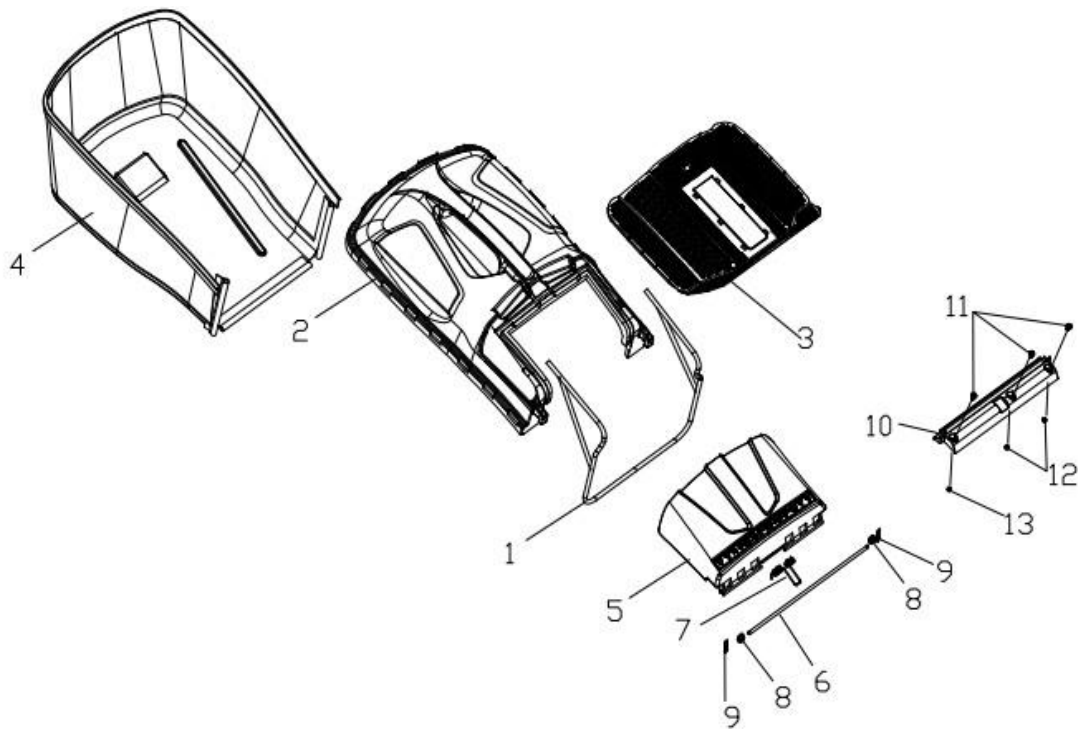
Pol.č.	Item description
1	front drive assy.
2	wheel assy.
3	wheel punch bearing
4	Self-locking nut
5	outer cover of hub
6	inner cover of hub
7	front bracket fastener

545240-5

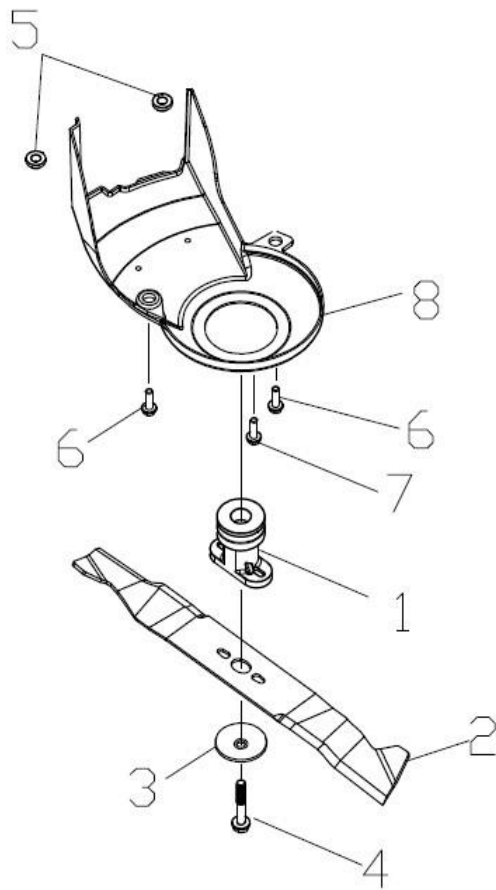
S511VHY-T









Pol.č.	Item description
1	rear drive assy. height adjustment ball
2	selfpropelled assy.
3	rear wheel axle sleeve
4	bearing
5	rear wheel axle sleeve
6	inner cover of hub
7	spring washer
8	selfpropelled ratchet washer
9	Ratchet Wheel L
10	Ratchet Wheel R
11	bratchet pin
12	wheel assy.
13	wheel punch bearing
14	Self-locking nut
15	outer cover of hub
16	selfpropelled spring
17	v belt
18	Gasket
19	Brake spring





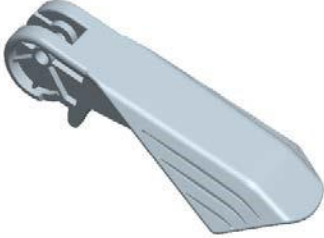



Pol.č.	Item description	
1	fabric metal frame	
2	top of grass box	
3	filter net of grass bag	
4	fabric grass bag	
5	rear discharge cover	
6	Shaft for rear discharge cover	
7	cover spring	
8	lock washer	
9	R type pin	
10	rear discharge cover dust proof board	
11	Bolt	
12	Self-locking nut	
13	Cap nut	





Pol.č.	Item description	
1	Blade Adapter Assy	
2	blade	
3	blade washer	
4	Inch hex flange bolts	
5	Chassis bushing	
6	Hex flange bolts	
7	Hex flange bolts	
8	belt cover	


1	Blade Adapter Assy	
	blade	
3	wheel assy.	
4	outer cover of hub	
5	wheel assy.	
6	outer cover of hub	

7	belt cover	 A 3D rendered part, likely a belt cover, featuring a circular opening on one side and a curved, flared edge on the other.
8	v belt	 A 3D rendered V-shaped belt, shown as a simple black line representing the belt's profile.
9	mulching board	 A 3D rendered mulching board with a textured surface and a curved, slightly raised edge.
10	side discharge cover	 A 3D rendered side discharge cover with a curved shape and a small protrusion on the top edge.
11	quick fix knob	 A 3D rendered quick fix knob with a curved, ergonomic shape and a small protrusion on the top edge.
12	Pin	 A 3D rendered pin, a simple cylindrical component with a small notch on one end.

13	Quick Fix Handle	
----	------------------	--

14	flat washer	
----	-------------	---

15	lock nut	
----	----------	--

16	Hexagon nut	
----	-------------	---